

**Kinghelm®**

型号: KH-HDMI-19P-Cu

| REV. | DESCRIPTION | NAME | DATE       |
|------|-------------|------|------------|
| A    | NEWS ISSUE  | LXH  | 2018/01/18 |

说明:

1. 材质:

胶芯: LCP, UL94V-0; COLOR: BLACK

端子: C2680

外壳: SPCC/C2680

2. 电镀说明:

端子: 接触区域镀金G.F

焊锡区域镀锡100U"

全部区域镀底50U"

外壳: 表面镀镍100U"

3. 规格说明:

电气性能:

绝缘阻抗 (EIA-364-21): 100MΩ

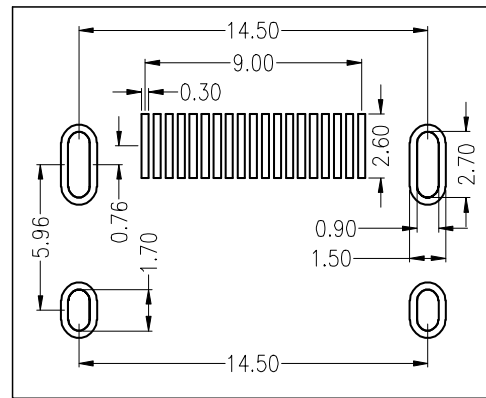
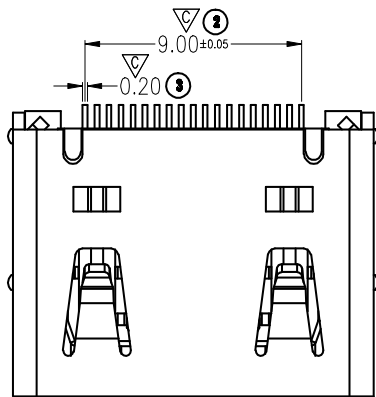
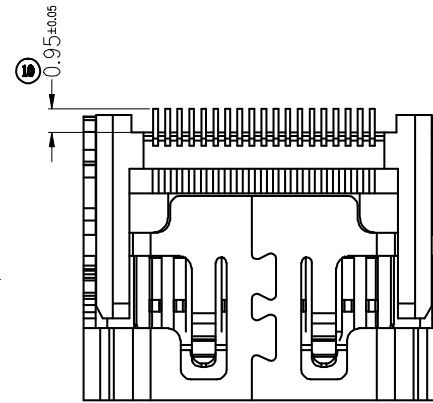
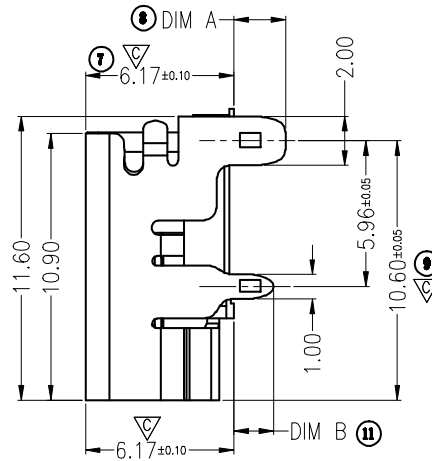
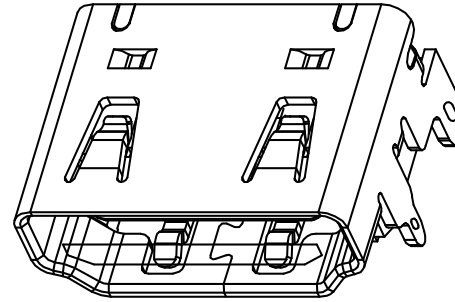
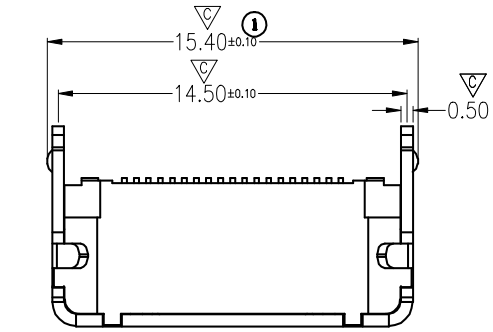
MIN. AT 500V/DC FOR 1MINUTE.

接触阻抗 (EIA-364-06) 30MΩ MAX.

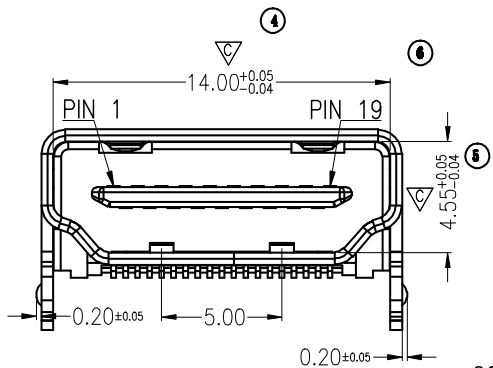
耐电压 (EIA-364-20) NO DISCHARGE,

FLASHOVER OR BREAKDOWN

AT 500V/AC 1MINUTE.

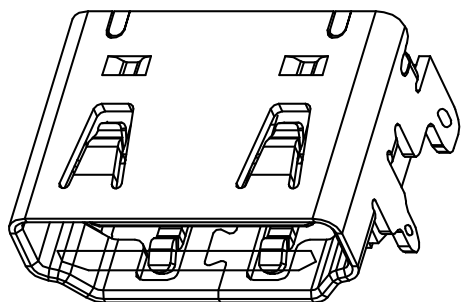


RECOMMENDED P.C.B HOLE LAYOUT  
COMPONENT SIDE VIEW(TOLERANCE: +/-0.05)

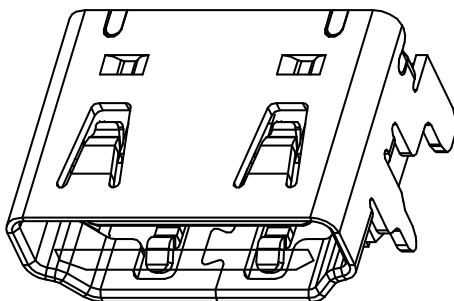


|                       |        |                        |            |                |                |
|-----------------------|--------|------------------------|------------|----------------|----------------|
| TOLERANCE UNSPECIFIED |        | 深圳市金航标电子有限公司           |            | WWW.BDS666.COM |                |
| .0                    | ±0.35  | KH-HDMI-19P-Cu         |            | 0755-83044319  |                |
| .00                   | ±0.25  | TITLE: HDMI A TYPE 板上型 |            |                |                |
| .000                  | ±0.15  | DRAWN                  | LXH        | SIZE:A4        | UNIT:mm.       |
| X"                    | ±2.00" | DATE                   | 2018/01/18 | PART. NO:      | HAXX-XXXX-X1-1 |
| CUSTOMER DRAWING      |        | CHECKED                | LCY        | SCALE: 1:1     | PROJECTION     |
|                       |        | DATE                   | 2018/01/18 | DWG            | PATH           |
|                       |        | APPROVED               | LCY        | C00-0000-0024  |                |
|                       |        | DATE                   | 2018/01/18 | REV.: A        |                |
|                       |        |                        |            | PATH 1/3       |                |

# Kinghelm®



脚有凸点



脚无凸点

4. P/N:

HA02-XXXX- X1-1

01代表铁壳  
02代表铜壳

N1代表外壳镀镍  
F1代表外壳镀金

外壳脚规格:

| 规格 | DIM A | DIM B | 外壳脚凸点 |
|----|-------|-------|-------|
| 1  | 2.16  | 1.66  | 无凸点   |
| 2  | 2.16  | 1.66  | 带凸点   |
| 3  | 1.50  | 1.50  | 无凸点   |
| 4  | 2.20  | 2.20  | 无凸点   |
| 5  | 1.50  | 1.50  | 带凸点   |

L1代表端子半金锡0.5U"  
L2代表端子半金锡1U"  
L3代表端子半金锡3U"  
Q3代表端子接触区镀金3U", 焊脚G/F

| PIN | Signal Assignment |
|-----|-------------------|
| 1   | TMDS Data2+       |
| 3   | TMDS Data2-       |
| 5   | TMDS Data1 Shield |
| 7   | TMDS Data0+       |
| 9   | TMDS Data0-       |
| 11  | TMDS Clock Shield |
| 13  | CEC               |
| 15  | SCL               |
| 17  | DDC/CEC Ground    |
| 19  | Hot Plug Detect   |

| PIN | Signal Assignment |
|-----|-------------------|
| 2   | TMDS Data2 Shield |
| 4   | TMDS Data1+       |
| 6   | TMDS Data1-       |
| 8   | TMDS Data0 Shield |
| 10  | TMDS Clock+       |
| 12  | TMDS Clock-       |
| 14  | Utility           |
| 16  | SDA               |
| 18  | +5V Power         |

TOLERANCE UNSPECIFIED

|      |        |
|------|--------|
| .0   | ±0.35  |
| .00  | ±0.25  |
| .000 | ±0.15  |
| X*   | ±2.00* |

CUSTOMER DRAWING

深圳市金航标电子有限公司 WWW.BDS666.COM

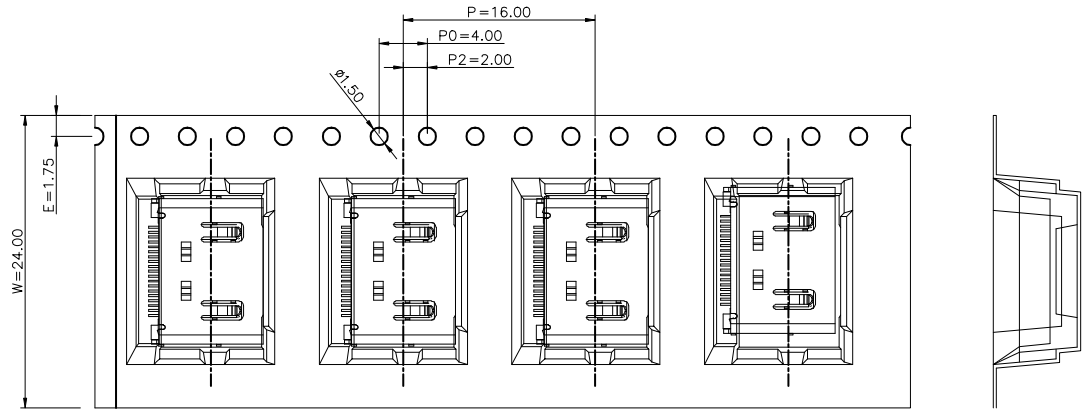
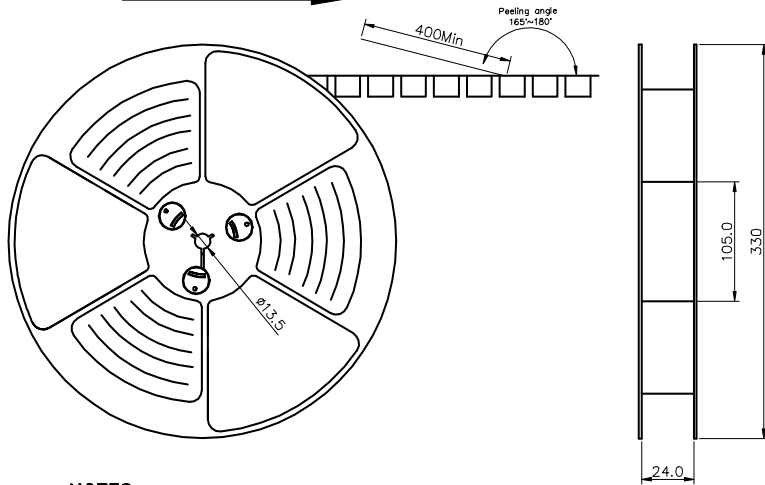
KH-HDMI-19P-Cu 0755-83044319

TITLE: HDMI A TYPE 板上型

|                  |                   |         |          |               |                |
|------------------|-------------------|---------|----------|---------------|----------------|
| DRAWN<br>DATE    | LXH<br>2018/01/18 | SIZE:A4 | UNIT:mm. | PART. NO:     | HAXX-XXXX-X1-1 |
| CHECKED<br>DATE  | LCY<br>2018/01/18 | SCALE:  | 1:1      | PROJECTION    | REV.: A        |
| APPROVED<br>DATE | LCY<br>2018/01/18 | DWG     | PATH     | C00-0000-0024 | PATH 2/3       |

**Kinghelm®**

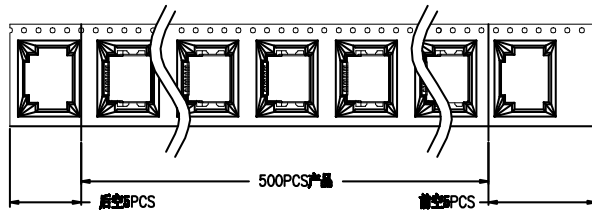
出料方向  
PULL OUT DIRECTEON



**NOTES**

1. 帶子引導長度  
LEAD TAPE LENGTH

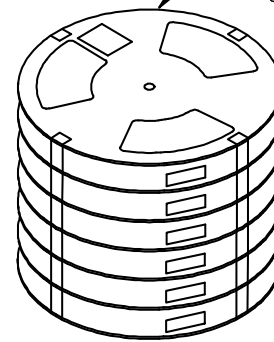
出料方向  
PULL OUT DIRECTEON



2. 出貨運輸過程中一定注意：  
THIS REQUIREMENT SHOULD BE APPLIED AT SHIPMENT：  
卷帶在運輸過程中不能散開  
PEELING OFF SHOULD NOT BE ALLOWED DURING TRANSPORTATION

TAPE & REEL 10 PCS

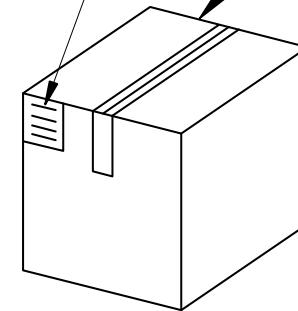
1 REEL  
= 500 PCS



BOX

DIMENSIONS:  
340X340X290

LABEL



1 CARTON  
= 10 REELS  
= 5000 PCS

|                       |        |                               |  |   |  |
|-----------------------|--------|-------------------------------|--|---|--|
| TOLERANCE UNSPECIFIED |        | 深圳市金航标电子有限公司                  |  | WWW.BDS666.COM                              |  |
| .0                    | ±0.35  | KH-HDMI-19P-Cu                |  | 0755-83044319                               |  |
| .00                   | ±0.25  | TITLE: HDMI A TYPE 板上型        |  |   |  |
| .000                  | ±0.15  | DRAWN DATE: LXH 2018/01/18    |  | SIZE: A4 UNIT: mm. PART. NO: HAXX-XXXX-X1-1 |  |
| X                     | ±2.00* | CHECKED DATE: LCY 2018/01/18  |  | SCALE: 1:1 PROJECTION                       |  |
| CUSTOMER DRAWING      |        | APPROVED DATE: LCY 2018/01/18 |  | DWG PATH: C00-0000-0024                     |  |
|                       |        |                               |  | REV.: A                                     |  |
|                       |        |                               |  | PATH 3/3                                    |  |

包裝明細表 (The detail of the packing carton)

| 產品料號<br>(Product No.) | 包裝容量 (Packing Capacity) |             |         | 重量 Weight (Kg) |          |          |
|-----------------------|-------------------------|-------------|---------|----------------|----------|----------|
|                       | pcs/box                 | boxs/Carton | Pcs/Box | N.W./Pcs       | N.W./Box | G.W./Box |
| HAXX-XXXX-X1-1        | 500                     | 10          | 5000    | —              | —        | —        |

