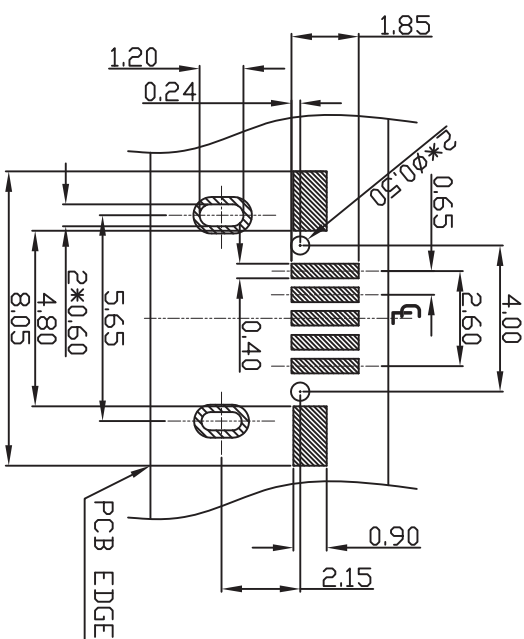
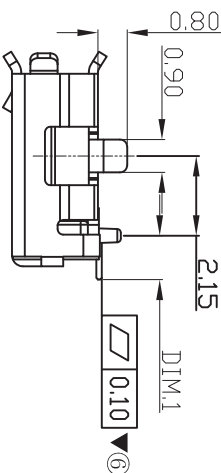
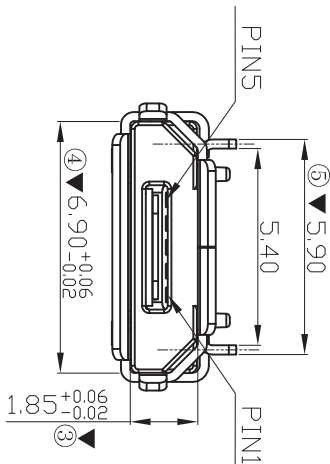
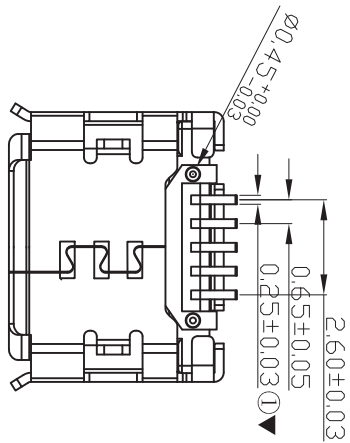
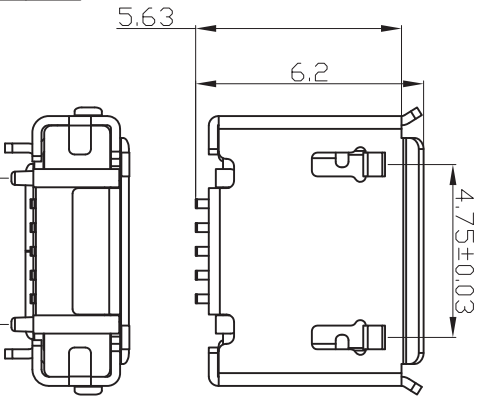


ROHS

Kinghelm®



RECOMMENDED P.C.B. LAYOUT
TOLERANCE UNSPECIFIED ±0.05mm



DIM.1	A	1.20
	B	1.00
	C	0.80

-TOLERANCES-
UNLESS OTHERWISE SPECIFIED
公差参考表

X.	±0.20	X.XXX	±0.020
X.X	±0.15	X.X°	±5.00°
X.XX	±0.10	X.XX°	±2.00°

APPD: **深圳市金航标电子有限公司**
TITLE: MICRO USB 5P 5.9前插后贴脚5.9卷边有柱
PRODUCT NO: **KH-MI CR05P-JZH** **WWW.BDS666.COM**
0755-83044319

DATE	DR.BY	ECN.NO.	DESCRIPTION	MARK	VER.	X.XX	±0.10	X.XX°	±2.00°	DRAW:	DATE	SCALE	UNIT	TYPE	PAGE
					A0	X.XX	±0.10	X.XX°	±2.00°	2017.10.17	1:1	mm			1/1

- Specification:
- Electrical Characteristics:
 - Current rating: 1.5PIN 1.8A Max/2,3,4PIN 1A Max.
 - Dielectric withstanding voltage: 100 V(ac) for 1 min.
 - Insulation Resistance: 100 MΩ Minimum.
 - Contact Resistance: 30 mΩ Maximum.
 - Environmental:
 - Operating Temperature: -30°C~+80°C.
 - Mechanical Characteristics:
 - Total mating force: 3.57 Kgf Max.
 - Total unmating force: 1.0 Kgf Min.
 - Material:
 - Insulator: HI-Temp Plastic UL 94V-O Rated.
 - Contact: Copper Alloy(t=0.15mm).
 - Shell: Copper Alloy/(c2680(t=0.20mm)).