

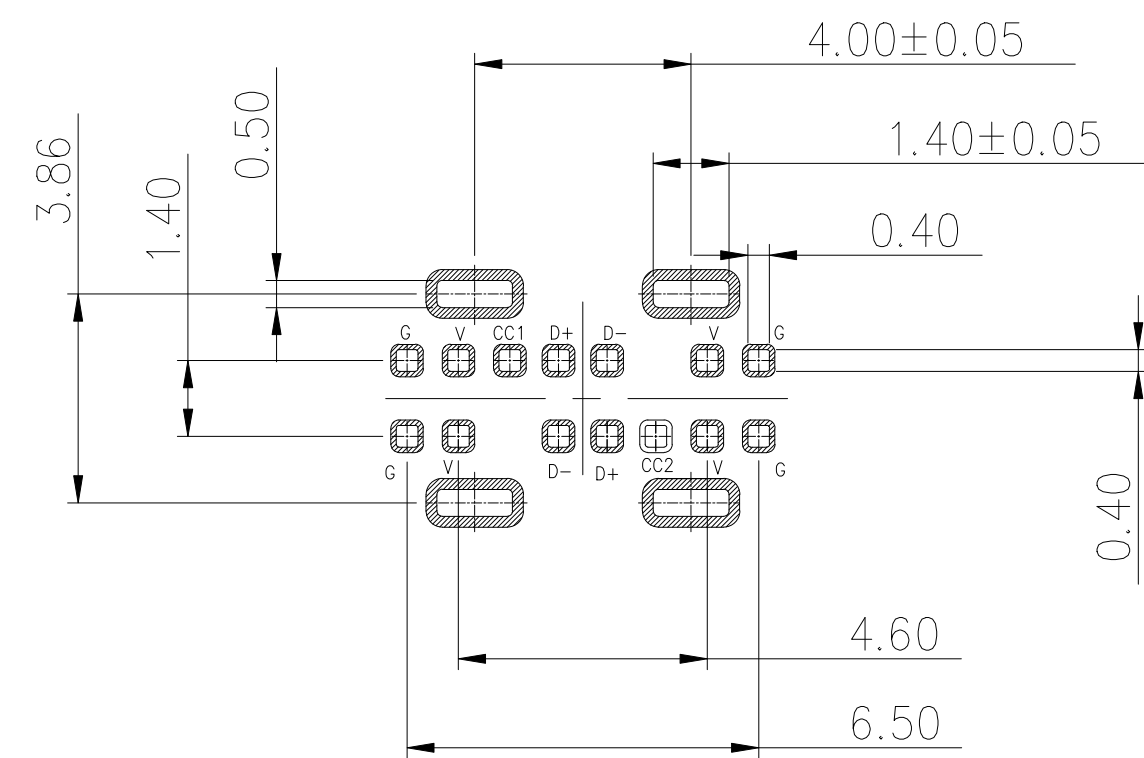
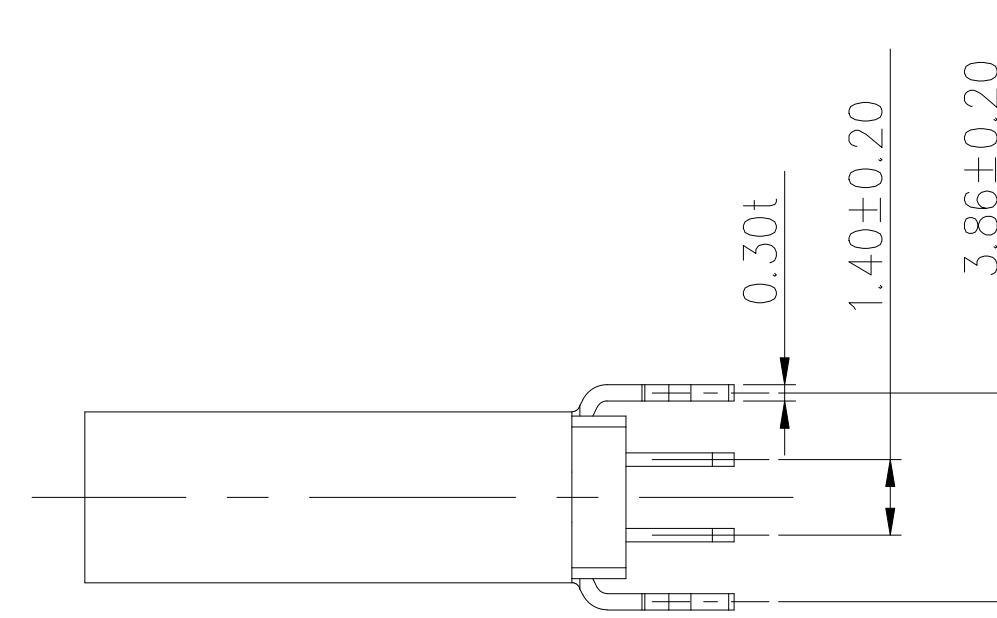
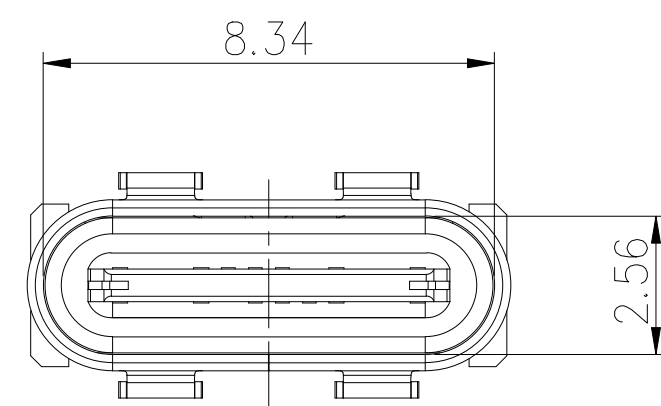
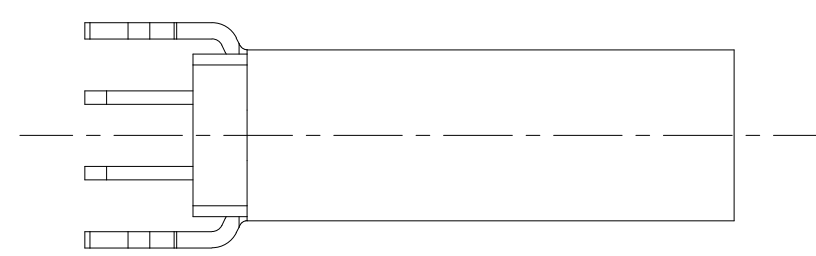
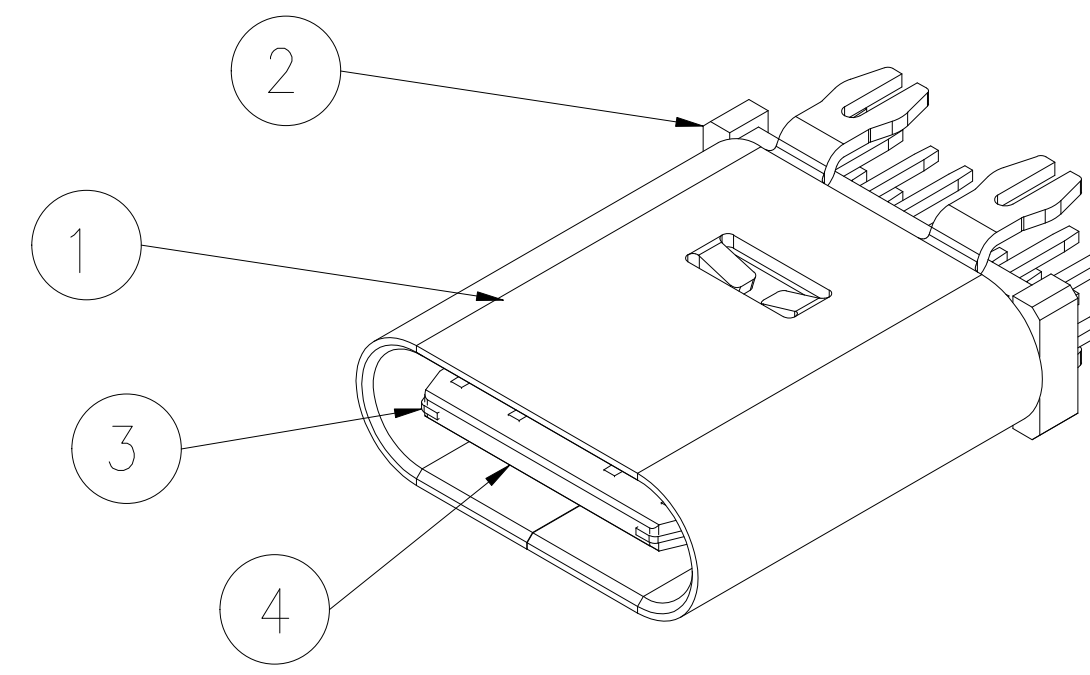
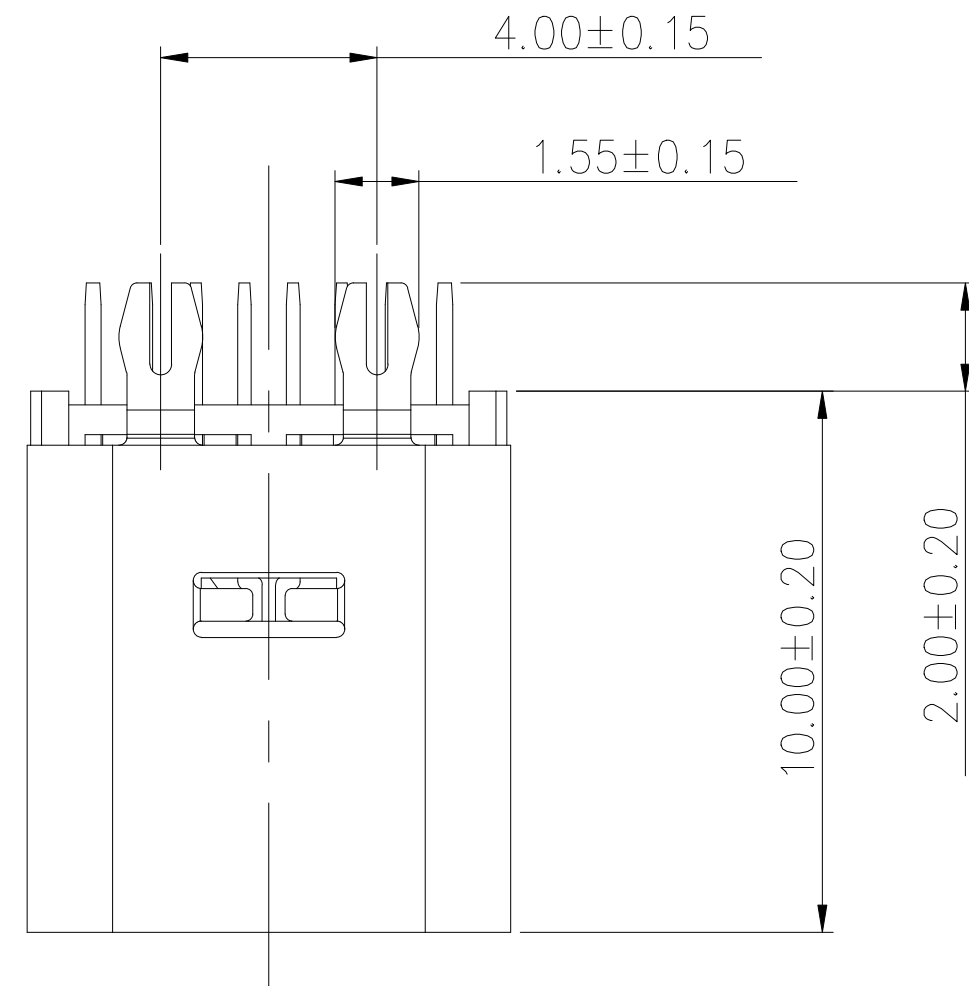
Kinghelm®

CUSTOMER DRAWING

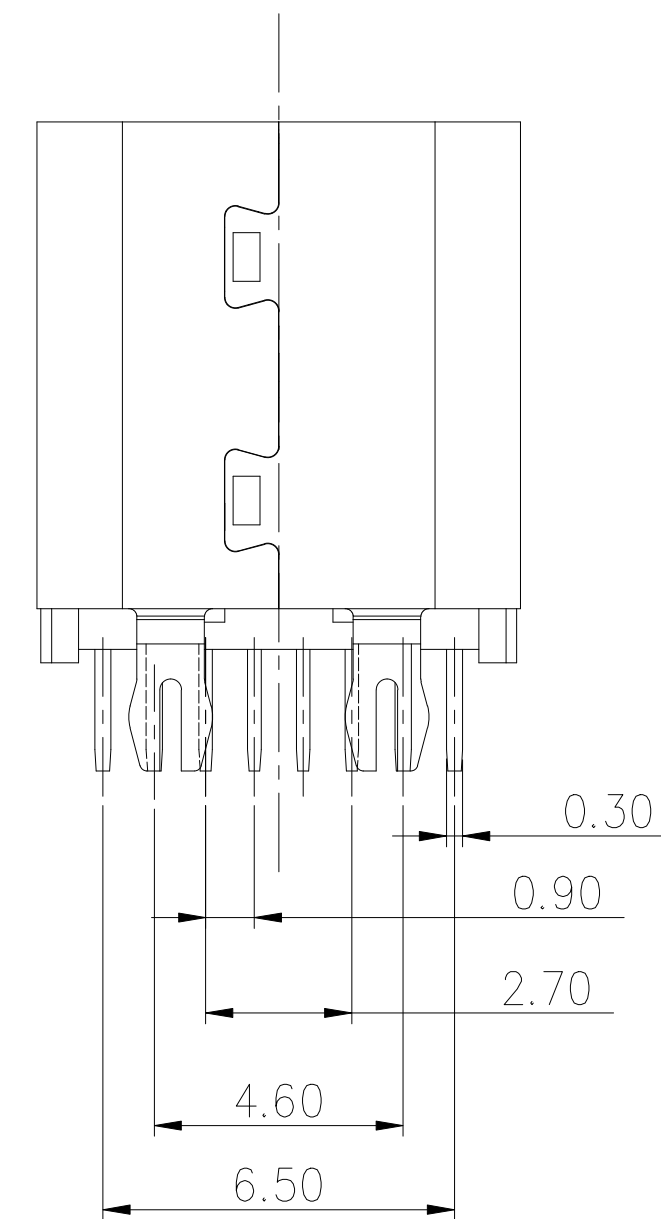
NOTE :
UT03FD014SX01ZA—
1

1. Seletive Plating
- S1: 5u" Gold In Contact Area
100u" Tin In Tail Area
- S2: 0.8u" Gold In Contact Area
100u" Tin In Tail Area
- S3: 10u" Gold In Contact Area
100u" Tin In Tail Area
- S4: 15u" Gold In Contact Area
100u" Tin In Tail Area
- S5: 30u" Gold In Contact Area
100u" Tin In Tail Area

- SPECIFICATION:
1. CURRENT RATING: 5.0A MAX
 2. Withstanding Voltage: 100V AC
 3. TEMPERATURE RANGE: -30 °C ~ 85 °C
 4. CONTACT RESISTANCE: 40 MILLIONHM MAX
 5. INSULATION RESISTANCE: 100 MEGOHMS
 6. LNSERTION FORCE : 5N~20N
 7. UNMATING FORCE: 8N~20N (1~1000次)
6N~20N (10000次之后)
 8. DURABILITY: 10,000 CYCLES



RECOMMENDED P.C.B. LAYOUT
TOLERANCE UNSPECIFIED ±0.05mm



NO.	DESCRIPTION	MATERIAL	COLOR	REMARK
7				
6				
5				
4	TYPE C MD	HIGH TEMP	BLACK	UL 94V-0
3	CENTER PIECE	STAINLESS STEEL	—	NO Plated
2	TYPE C TERMINAL	COPPER ALLOY	—	Gold Plated
1	SHELL	STAINLESS STEEL	—	Ni Plated

深圳市金航标电子有限公司 WWW.BDS666.COM

KH-TYPE-C-L10-14P 0755-83044319

ECN (DCN) NO.	REV.	DESCRIPTION	DATE	CHANGE	APPRO.	GENERAL TOLERANCE UNLESS OTHERWISE NOTED	APPRO.	PART NO.	UT03FD014SX01ZA
	PA	NEW	17-08-30	LUI	JUAN	30~ ±0.50	DRAW		
						10~ 30 ±0.30	DESIGN		TTYPE C 2.0母座14PIN 180度插板
						~ 10 ±0.15	CHECK		RDA170830-001
						ANGLES ±2°	APPRO.		REV. PA
								UNIT mm	SCALE 1:1
								PAGE 1of1	VIEW