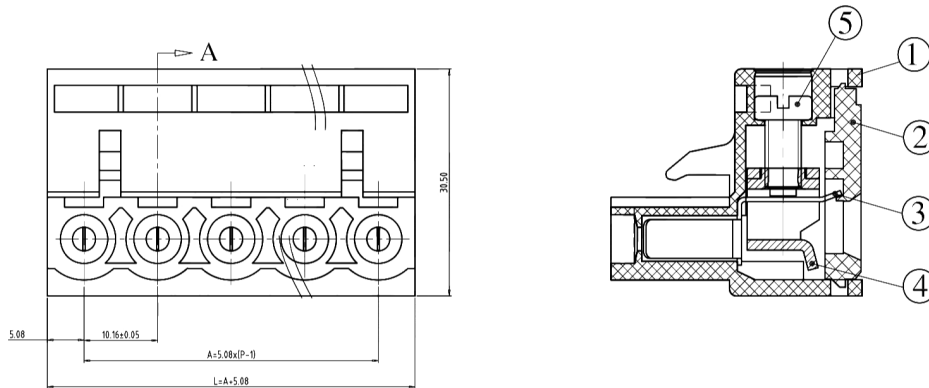


SPECIFICATION

1. Rated voltage: 300V 15A(CE)
2. Insulation Withstands Voltage: AC2000V/MIN
3. Insulation Resistance: 500MΩ or more at DC500V
4. Using Temperature Range: -40°C/+105°C
5. Screw Torque Value: 0.4N.m
6. Suitable Electric Wire: 28-14AWG
7. Storage condition: room temperature, the humidity below 85%, shelf life: 1 year.
8. Origin: China ningbo cixi

MATERIAL



#: Back to the material used ≤ 30%

| N.o | NAME | MATERIAL | SPECIFICATIONS |
|-----|---------|---------------|-------------------------|
| 1 | HOUSING | PA66(UL94V-0) | GREEN |
| 2 | COVER | PA66(UL94V-0) | GREEN |
| 3 | CLAMP | BRONZE | EP-Cu/Cu1-2 Ni2-4um |
| 4 | BLOCK | STEEL | EP-Fe/Cu1-2 Zn5-8um |
| 5 | SCREW | STEEL | M3.0EP-Fe/Cu1-2 Zn5-8um |

HOW TO ORDER

插拔式 (母座)

| | | | |
|-----|------|-----|-----|
| 系列码 | 序列码 | 特征码 | 识别码 |
| ZBK | 400R | XXP | GS |

颜色代号: G-绿色, 标准色可省略细分代号
 线数 (XXP), XX表示不固定线数
 R: 进线方向与针脚水平
 规格分类流水号
 间距代号: 4-5.08mm
 ZB-公司代码, K-插拔式 (公座)

Packing Bag:
Size: 20.0×19.0 (cm)

| | |
|----------------------|----------------|
| 深圳市金航标电子有限公司 | WWW.BDS666.COM |
| KH-ZBK400R-6P-5.08GS | 0755-83044319 |