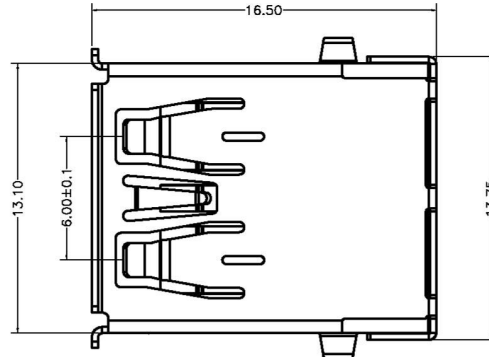
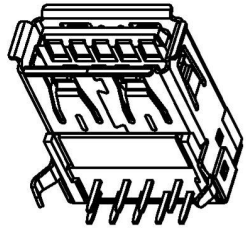
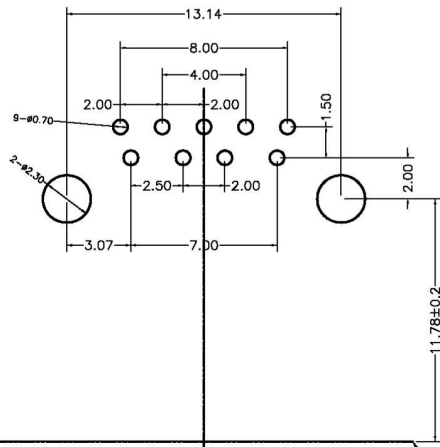
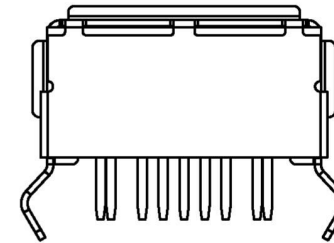
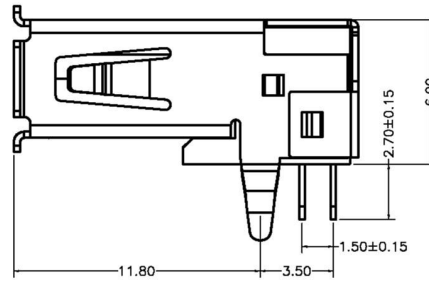
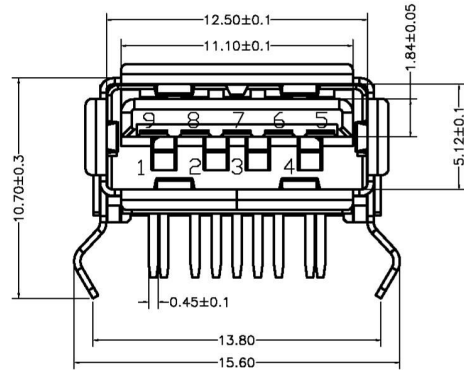


Kinghelm®

REV.	DESCRIPTION	DATE
A	RELEASE	2016.7.24

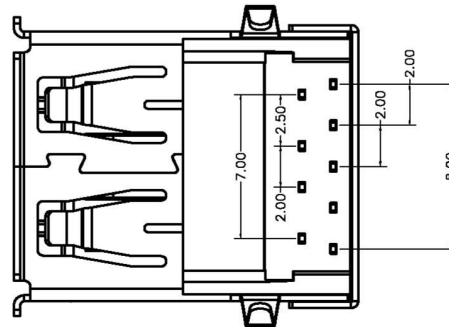


ELECTRICAL CHARACTERISTICS
 30V DC/AC 1A MAX.
 CONTACT RESISTANCE: 30 mΩ MAX INSULATION RESISTANCE: 100MΩ MIN, AT 500V DC.
 30V DC/AC 1A MAX.
 DIELECTRIC STRENGTH 100V AC/1 MINUTE.
 INSERTION FORCE: 35N MAX WITHDRAWAL: 10N MIN



PCB.LAYOUT

CONNECTOR FRONT EDGE



UNLESS TOLERANCE		DRAW BY	杨国祥	
GENERAL	ANGLE	DESIGN BY	WP	
X. ± 0.38	X.* ± 3.0°	CHECK BY		
.X ± 0.30	.X* ± 2.0°	APPROVE BY		
.XX ± 0.25	.XX* ± 1.0°	SCALE	SHEET	UNIT
.XXX ± 0.10	.XXX* ± 0.5°	1:1	1/1	MM

深圳市金航标电子有限公司	
WWW.BDS666.COM	
KH-3.0AF90WJ-16.5JB	
0755-83044319	
ITEM :	
USB 3.0 AF 90 青蛙脚	
DRW NO:	REV: A