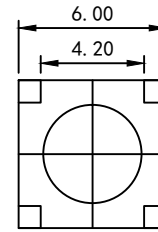
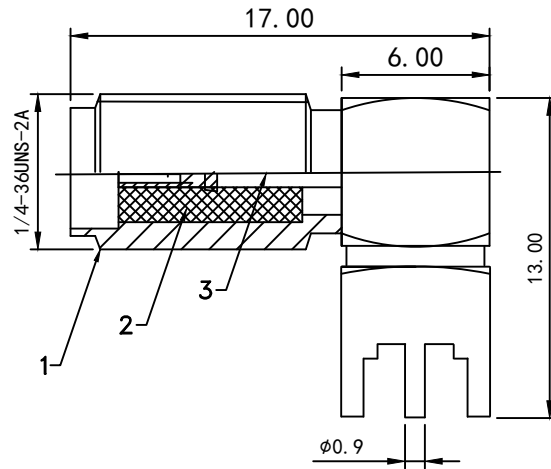


**Kinghelm®**

Rev.	ECN NO.	DESCRIPTION



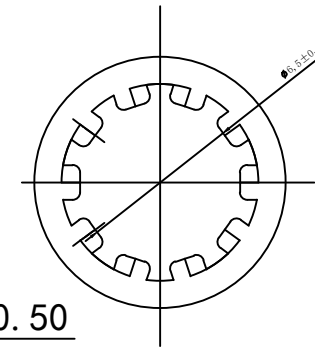
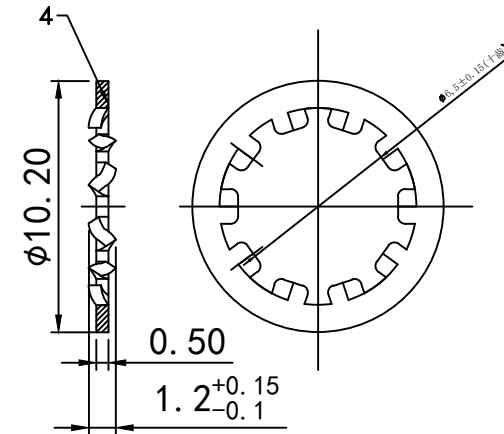
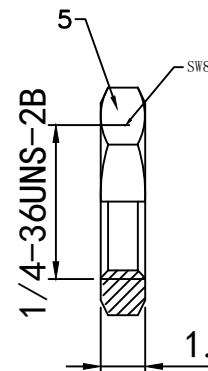
NOTE:

1. Electrical Characteristics

- 1.1 Impedance: 50 Ohm
- 1.2 Working Frequency: DC-6GHz
- 1.3 S.W.R. :  $\leq 1.5$
- 1.4 Working Voltage: 500V/max
- 1.5 Insulation Resistance: 5000 Mohm
- 1.6 Contact Resistance: Center Contact: 5 Mohm
- 1.7 Outer Contact:  $\leq 2.5$  Mohm

2. Environmental

- 2.1 Working Temperature Range:  $-40^{\circ}\text{C} \sim 85^{\circ}\text{C}$
- 2.2 Salt spray test: 48H



Callout	Material	Quantity	Notes
5	镀金	1	
4	镀金	1	
3	镀金	1	
2	PTFE	1	
1	镀金	1	

TOLERANCES UNLESS OTHERWISE SPECIFIED			
X.	$\pm 0.20$	X°	$\pm 1^{\circ}$
X.X	$\pm 0.15$	.X°	$\pm 0.5^{\circ}$
X.XX	$\pm 0.10$	/	/

深圳市金航标电子有限公司  
SHENZHEN KINGHELM ELECTRON CO.,LTD.

**KH-SMA-P-8496-T**

APPD:		DWG No.:	
CKD:	LvLiJun		
DR:	Figo		
UNITS	MAT'L	FINISH	SCALE
MM	$\Delta$	$\Delta$	
SHEET	REV.		
1/1	A0		