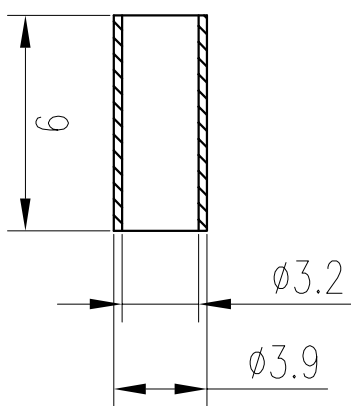
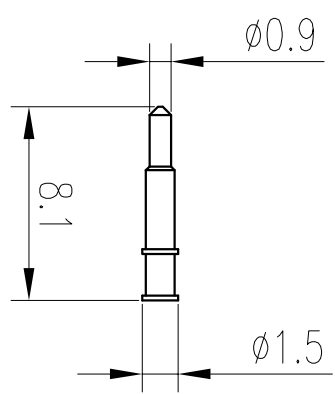
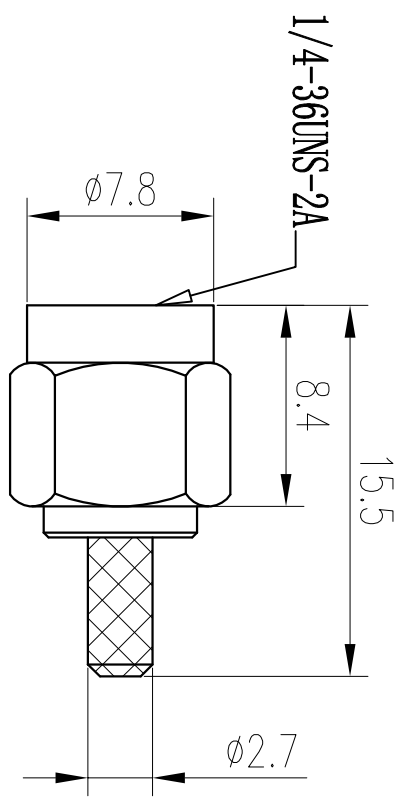


Kinghelm®

1 2 3 4 5 6 7 8

Rev	Description	Date	Remark
A	New drawing		



- 技术要求:
1. 阻抗: $50 \pm 2 \text{ ohm}$
 2. 频率范围: $0 \sim 6\text{GHz}$
 3. VSWR: 1.5MAX
 4. 耐压: 500V rms
 5. 绝缘电阻: 5000 ohm min
 6. 工作温度: $-45^{\circ}\text{C} \sim +80^{\circ}\text{C}$

No.	Part No.	Name	Specification	Amount	Remark
1					

深圳市金航标电子有限公司
SHENZHEN KINGHELM ELECTRON CO., LTD.

ϕ	Third Angle	Project	Part Name	Date	Designed by
0~10	± 0.05		SMA公头公针		
10~18	± 0.10	Part No.		Checked by	RF
18~30	± 0.12	Material		Approved by	MD
30~40	± 0.15	Technology		Unit	mm
40~	± 0.20	Angle		Scale	1:1
				Rev	A1