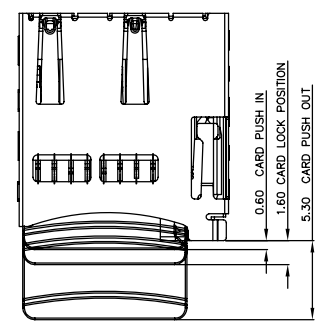


SPECIFICATION:

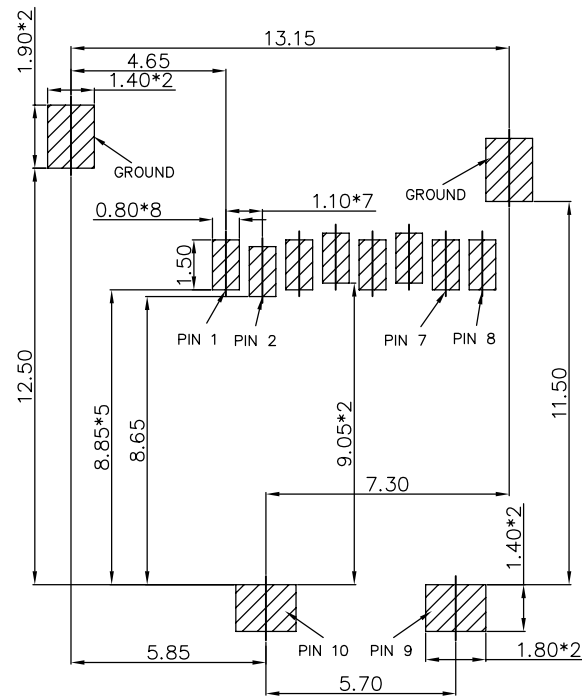
1. Electrical characteristics
 - 1.1 Contact current rating: 0.5A Max.
 - 1.2 Contact resistance: 100 milli-Ohm Max.
 - 1.3 Insulation resistance: 250V DC or 300V AC for no less than 1 minute
2. Mechanical characteristics
 - 2.1 Mating durability: 10000 cycles.
 - 2.2 Insertion force: 2.0Kgf Max.
 - 2.3 Extraction force: 0.5Kgf Min.
3. Environmental characteristics
 - 3.1 Operation temperature range: -25° C to +85° C



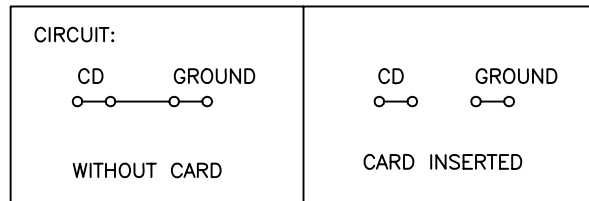
PART. NO. :
MR01-AP4**-**

- 主体胶芯颜色: 01 黑色
- 08: 功能区镀金1U", 锡脚Gold Flash
 - 09: 功能区镀金3U", 锡脚Gold Flash
 - 10: 功能区镀金5U", 锡脚Gold Flash
 - 11: 功能区镀金10U", 锡脚Gold Flash
 - 12: 功能区镀金15U", 锡脚Gold Flash

| | | | | | | | | | | | |
|-------------------|--------|---------|---------------|----------|--------------------------|----------|--------------------|--------------|----|---------------------|----------|
| GENERAL TOLERANCE | | DWG.NO. | MR01-AP400-00 | PART.NO. | MR01-AP4**-** | DRAWN | zgm 2010.11.02 | UNIT | mm | SCALE | NO SCALE |
| x.±0.50 | x.±5° | REV. | A | TITLE | MICRO SD Push conn.(内焊型) | CHECKED | | 深圳市金航标电子有限公司 | | www.kinghelm.com.cn | |
| .x±0.25 | .x±2° | SIZE | | SHEET | | APPROVED | MIKE 20010. 11. 02 | KH-TF037 | | 0755-28190160 | |
| .xx±0.15 | .xx±1° | A4 | | | | | | | | | |



RECOMMENDED PCB LAYOUT
(ALL TOLERANCE ARE ± 0.05)



| Pin No. | MICRO SD |
|---------|-------------|
| PIN1 | DAT2 1P |
| PIN2 | CD/DAT3 2P |
| PIN3 | CMD 3P |
| PIN4 | VDD 4P |
| PIN5 | CLK 5P |
| PIN6 | VSS 6P |
| PIN7 | DAT0 7P |
| PIN8 | DAT1 8P |
| PIN9 | CARD DETECT |
| PIN10 | |

| | | | | | | | | | | |
|-------------------|---------|---------------|----------|--------------------------|----------|-----------------|--------------|----|---------------------|----------|
| GENERAL TOLERANCE | DWG.NO. | MRO1-AP400-00 | PART.NO. | MRO1-AP4**-** | DRAWN | zgm 2010.11.02 | UNIT | mm | SCALE | NO SCALE |
| x. ± 0.50 | REV. | A | TITLE | MICRO SD Push conn.(内焊型) | CHECKED | | 深圳市金航标电子有限公司 | | www.kinghelm.com.cn | |
| .x ± 0.25 | SIZE | A4 | SHEET | | APPROVED | MIKE 2010.11.02 | KH-TF037 | | 0755-28190160 | |
| .xx ± 0.15 | A4 | | | | | | | | | |