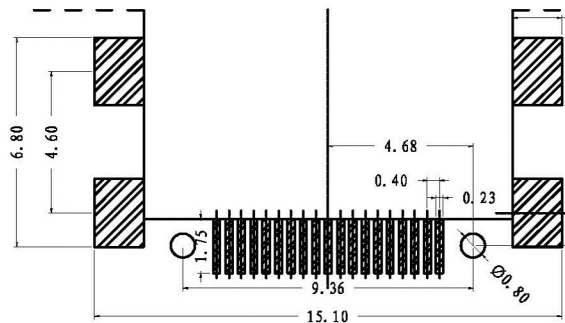
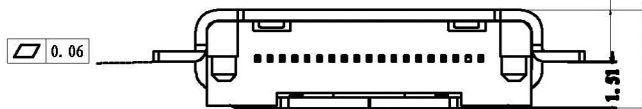
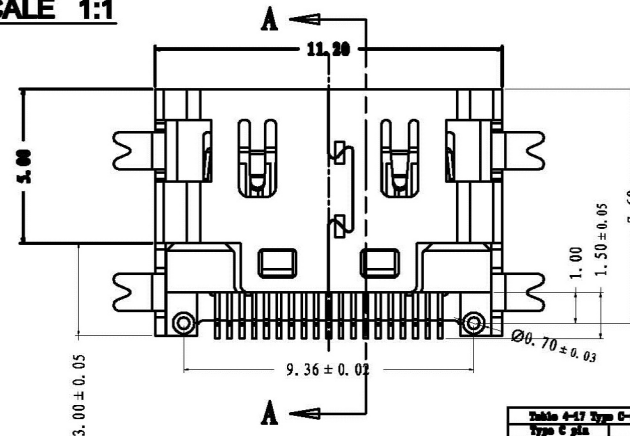
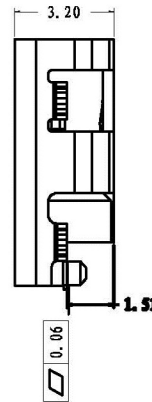
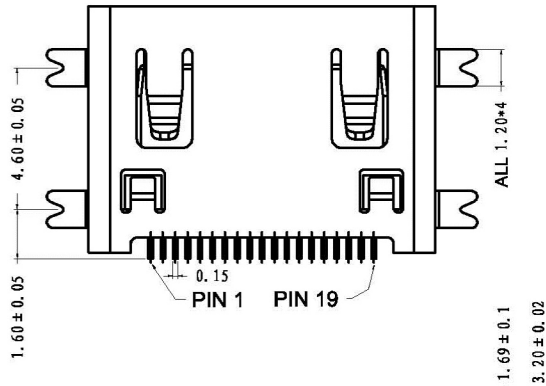
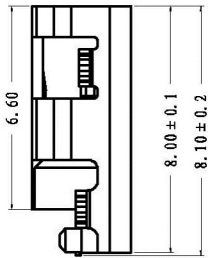


SEC A-A
SCALE 1:1



MATERIAL:

Insulator: LCP-High Temperature Thermoplastic, **UL-94**

Contact: Copper Alloy T-0.12, C5191

SHELL: C2680 T-0.35

PLATING:

Contact: All Area Au:1u"

shell: All Area Au Gold flash

SPECIFICATION:

- 1.MATING FORCE:4.1N MAX
- 2.UNMATING FORCE:7-22N
- 3.DURABILITY: 8000 CYCLES MIN
- 4.CURRENT:0.5A
- 5.VOLTAGE:40V MAX
- 6.WITHSTANDING VOLTAGE:500V AC MIN.(UNMATED)
- 7.CONTACT RESISTANCE:30MM MAX.
- 8.INSULATION RESISTANCE:100MM MIN.(UNMATED)
- 9.OPERATING TEMPERATURE RANGE:-20.C TO +85.C
- 10.ALL THE MATERIAL SHOULD COMPLY WITH THE ROHS REQUIREMENT.

Type C pin	Signal Name
1	TYPE D Shield
2	TYPE D Shield
3	TYPE D Shield
4	TYPE D Shield
5	TYPE D Shield
6	TYPE D Shield
7	TYPE D Shield
8	TYPE D Shield
9	TYPE D Shield
10	TYPE D Shield
11	TYPE D Shield
12	TYPE D Shield
13	TYPE D Shield
14	TYPE D Shield
15	TYPE D Shield
16	TYPE D Shield
17	TYPE D Shield
18	TYPE D Shield
19	TYPE D Shield

REVISION NO.	ECR NO.	DESCRIPTION	MARK	DATE

深圳市金航标电子有限公司 KH-HDMI-0017		www.kinghelm.com.cn 0755-28190160	
DIMENSIONS UNIT: mm UNLESS OTHERWISE SPECIFIABLE DIMENSION TOLERANCE X.X: ± 0.25 X.XX: ± 0.10 X.XXX: ± 0.05 ANGULAR: ± 1°		PRODUCT NAME : MINI-HDMI 19Pin C TYPE 连接器 PRODUCT NO. : HD-0017 DRAWING NO. :	
DRAWING:		DATE: 2009/12/10	
CHECK:		DATE: 2009/12/10	
APPROVED:		DATE: 2009/12/10	
SCALE: 1:1	DWG ID: P D	REV.: A	PAGE: 1 of 1