

NOTES:

1. MATERIAL:

- 1.1 Housing: thermoplastic plastics
- 1.2 terminals: Copper Alloy
Gold plated in contact area
Tin plated in termination
Nickel Plated overall

- 1.3 Shell: Steel&Copper Alloy
Nickel/Au Plated overall

2. ELECTRICAL CHARACTERISTICS:

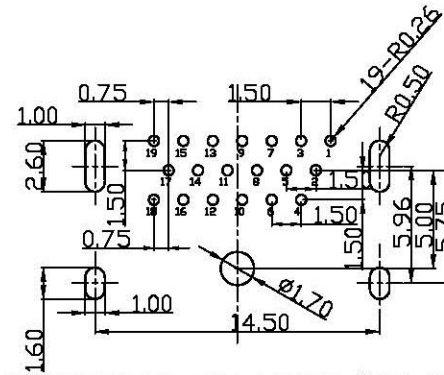
- 2.1 Rating Current : 0.5 Ampere
- 2.2 Rating Voltage : 40 V Max
- 2.3 Contact Resistance: 30 Milli ohms
- 2.4 Insulation Resistance: 100 Mega ohms Min.

3. MECHANICAL CHARACTERISTICS:

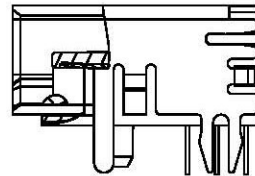
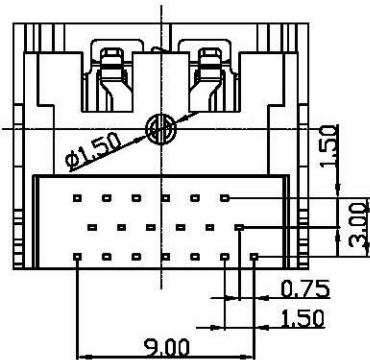
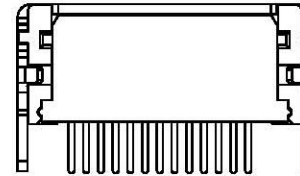
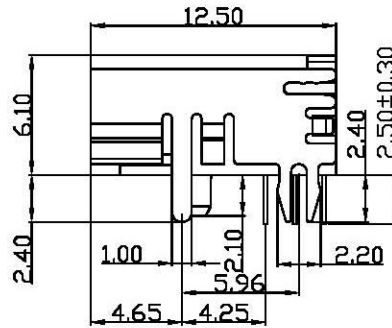
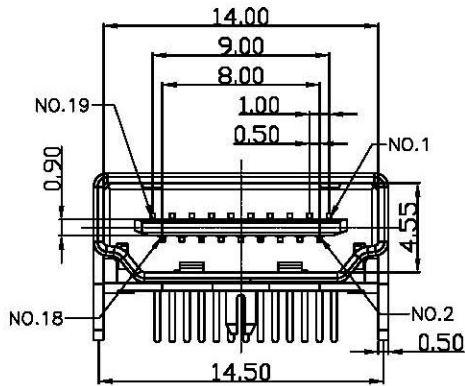
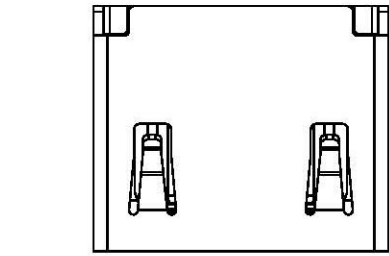
- 3.1 Connector Mating force: 4.5kg MAX
- 3.2 Connector Unmating force: 1.0Kg min
- 3.3 Durability: 10000Cycles.

4. ENVIRONMENT CHARACTERISTICS:

- 4.1 Operating temperature: -20°C to +85°C
- 4.2 Storage temperature: -20°C to +65°C



RECOMMENDED PCB LAYOUT (TOP VIEW)
TOLERANCE FOR PCB LAYOUT IS ±0.05



TOLERANCE UNLESS OTHERWISE SPECIFIED		深圳市金航标电子有限公司		www.kinghelm.com.cn			
.XXX ±0.10	.XX ±0.20	.X ±0.30	.X ±3	KH-HDMI90-0009-YCJ		0755-28190160	
APPROVED		PART NAME:	HDMI 19P/F 三排90度鱼叉脚 (无耳)				
CHECKED		PART No:	HD-0009			C	
DRAWN	pengchaoyong	PROJECTION:	UNIT:	SCALE	SHEET	REV.	
DATE	2014.12.3		mm	1:1	1 OF 1	A	